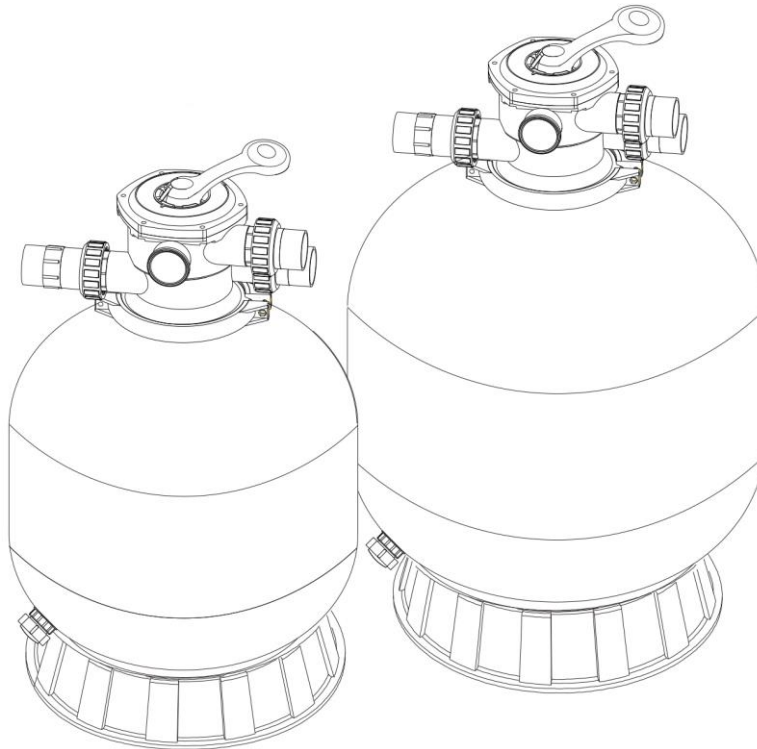




## SAND FILTERS

Models: PW500P, PW650P & PWF700P



### FUNCTION

The filter uses special filter media to remove dirt particles from pool water. The filter media is loaded into the filter tank and functions as a permanent dirt removing media. When the multiport valve is in the FILTER position, the pool water which contains suspended dirt particles, is pumped through your piping system and is automatically directed by the patented filter multiport valve to the top of the filter tank. As the pool water is pumped through the filter, dirt particles are trapped by the media bed, and filtered out. The cleaned pool water is returned from the bottom of the filter tank, through the multiport valve and back to the pool through the piping system. This entire sequence is continuous and automatic. It provides for total recirculation of pool water through your filter and piping system.

After a period of time, the accumulated dirt in the filter causes a resistance to flow, and the flow diminishes. This means it is time to clean your filter. With the multiport valve in the BACKWASH position, the water flow is automatically reversed through the filter so that it is directed to the bottom of the tank, up through the media, flushing the previously trapped dirt and debris out the waste line. Once the filter is back-washed of dirt, set the multiport valve to the RINSE position and run pump for about 15 to 30 seconds, and then set the multiport valve in the FILTER position, to resume normal filtering.

NOTE: Turn pump OFF before changing the multiport valve position.

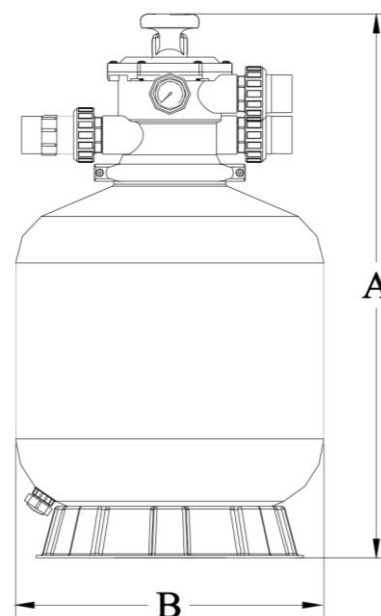
## INSTALLATION

Only simple tools plus pipe sealant for plastic adapters are required to install and service the filter.

1. The filter should be placed on a level concrete slab, very firm ground, or equivalent. The filter should be placed in the right position so that the piping connections, multiport valve are convenient and accessible for operation and service. Position the tank with MPV in place to determine final position for piping.
2. Filter media is loaded through the top opening of the filter.
  - a. (For 500/650) Loosen the flange clamp and remove filter multiport valve (if previously installed).
  - b. Cap internal pipe with plastic cap to prevent filter media from entering it.
  - c. We recommend filling the tank approximately 1/2 way with water to provide a cushion effect when the filter media is poured in. This helps protect the under-drain laterals from excessive shock.
  - d. Carefully pour in correct amount and grade of filter media. (Be sure centre pipe remains centred in opening.) Media surface should be levelled and should come to about the middle of the filter tank. Remove plastic cap from internal pipe.
3. Assemble filter multiport valve onto the filter tank.
  - a. Insert multiport valve (with O-Ring in place) onto the tank neck, taking care that the centre pipe slips into the hole in the bottom of the valve.
  - b. Place clamp around valve flange and tank flange and tighten just enough so that the valve may be rotated on tank for final positioning.
  - c. Carefully screw pressure gauge (with thread tape) into tapped hole in valve body. Do not over-tighten.
  - d. Connect pump to multiport valve opening marked PUMP. After connections are made, recheck to ensure clamp band on multiport valve flange is tight.
4. Make the return to pool pipe connection to multiport valve opening marked RETURN and complete other necessary plumbing connections, suction lines to pump, waste, etc.
5. Make electrical connections to pump per pump instructions.
6. To prevent water leakage, make sure all pipe connections are tight.

## MAIN DIMENSIONS

Model	A Height (mm)	B Diameter (mm)	Valve Port Size (inch)	Sand (kg)
PW500P	845	527	1.5"	85
PW650P	950	627	1.5"	145
PW700P	1020	703	1.5"	210

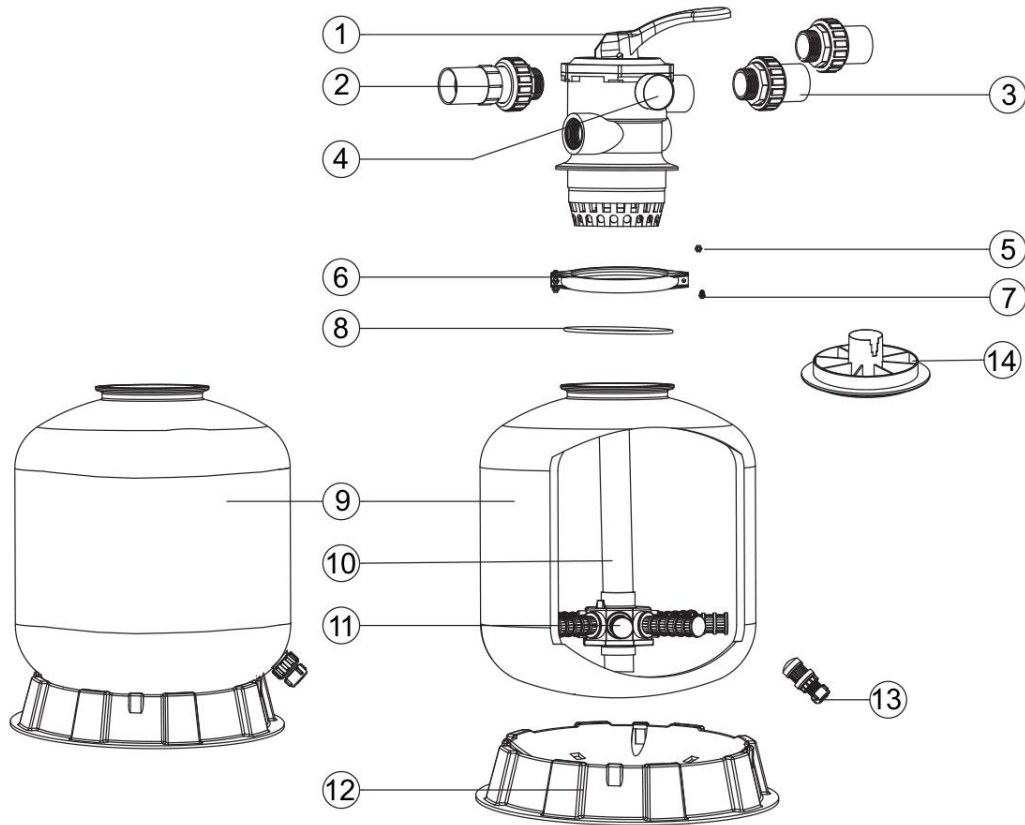


## INSTALL/START-UP OF FILTER

1. Make sure the correct amount of filter media is located in the tank and all connections have been connected and secured.
  2. Depress multiport valve handle and rotate to BACKWASH position. (To prevent damage to multiport valve seal, always depress handle before turning.)
  3. Prime and start pump according to pump instructions (be sure all suction and return lines are open), allowing the filter tank to fill with water. Once water is flowing out of the waste line, run the pump for at least 1 minute. The initial back-washing of the filter is recommended to remove any impurities or fine particles in the filter media
  4. Turn pump off and set valve to RINSE position. Start pump and operate until water in sight glass is clear, about 30 seconds. Turn pump off and set valve to FILTER position and restart pump. The filter is now operating in the normal filter mode, filtering dirt particles from the pool water.
  5. Adjust pool suction and return valves to achieve desired flow. Check system and filter for water leaks and tighten connections, bolts, nuts, as required.
  6. Note the initial pressure gauge reading when the filter is clean. (It will vary from pool to pool depending upon the pump and general piping system.) As the filter removes dirt and impurities from the pool water, the accumulation of dirt in the filter will cause the pressure to rise and diminish the water flow. When the pressure gauge reading is 40kpa, higher than the initial "clean" pressure you noted, it is time to backwash the filter (see BACKWASH under filter and multiport valve functions).
- NOTE: During initial clean-up of the pool water it may be necessary to backwash frequently due to the unusually heavy initial dirt load in the water.

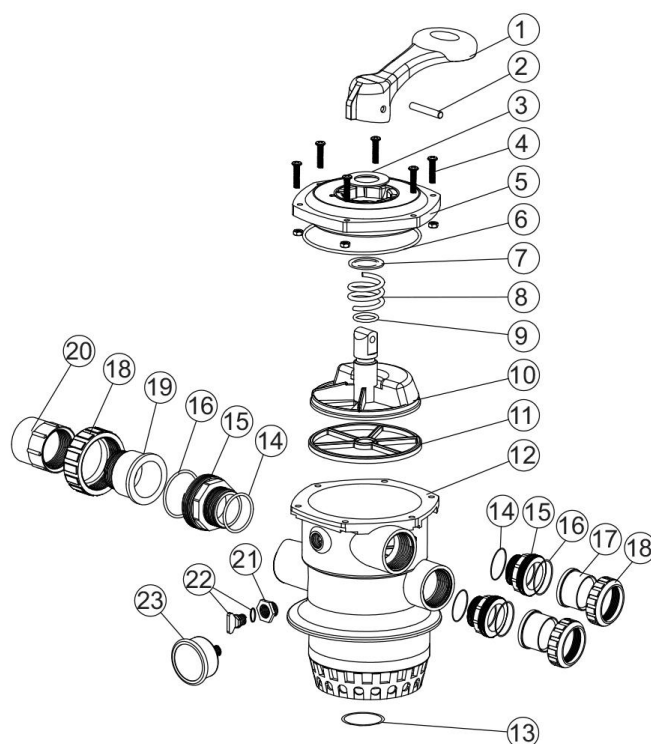
# REPLACEMENT PARTS OF FILTER

(Diagrams are for illustrative purposes and may vary slightly on actual filter)



Item	Part number	Description
1	MPV200	40mm Multiport Valve (see breakdown)
2	MPV222	40mm MPV Union & O-Ring with Sight Glass
3	MPV223	40mm MPV Union & O-Ring without Sight Glass
4	PGML	Metal Pressure gauge with O-Ring
	MPV226A	MPV nut for Pressure Gauge
5 & 7	SF004	M6 Nut & Screw
6	SF001B	Clamp Lock
5, 6 & 7	SF001	Clamp Assembly
8	OR900	O-Ring for Filter Neck
9	PWP001	Tank for PW650P
10	PWP002	Centre Pipe, Hub & Lateral Assembly for PW650P
11	SF012	Laterals 8pk (126mm)
12	N/A	Filter Base
13	PWP003	Water Drain Set
14	PWP004	Sand Diverter

# REPLACEMENT PARTS OF MULTIPOINT VALVE



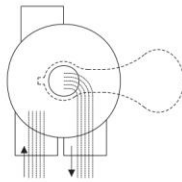
Item	Part number	Description
1	MPV201A	Handle
2	MPV202A	Pin for Handle
3	MPV203A	Washer for Handle
1, 2 & 3	MPV201	40mm MPV Handle Kit
4	MPV204A	M6 x 30 Screw with Nut for Standard Lid 6pk
5	MPV205A	40mm Top Mount Valve Standard Lid
6	OR911	O-Ring for 40mm Valve Lid
4, 5 & 6	MPV205	40mm MPV Top Mount Lid Kit
7	MPV208A	Washer for Spring
8	MPV209A	Spring for Top Mount Valve
9	OR912	O-Ring for Valve Rotor 4pk
10	MPV211	Valve Rotor
3, 6, 7, 8 & 9	MPV209	40mm MPV Spring Kit
11	MPG05	40mm MPV Gasket
12	PWP005	Body with Diffuser (Black)
13	OR913	O-Ring for Diffuser 4pk
14	OR901	O-Ring for Threaded Tail 3pk
15	MPV222D	Union Adapter
16	OR902	O-Ring for Union Adapter 3pk
17	MPV223A	Union Tail
18	MPV222C	Union Nut
19	MPV222A	Union Tail Clear
20	MPV222B	Union Connector for Clear Tail
21	MPV226A	Fitting & O-Ring for Drain Plug
22	MPV226B	Drain Plug with O-Ring
21 & 22	MPV226	40mm MPV Plug
23	PGML	Metal Pressure Gauge with O-Ring
14, 15, 16, 18, 19 & 20	MPV222	Union & O-Ring with Sight Glass
14, 15, 16, 17 & 18	MPV223	Union & O-Ring without Sight Glass

# FUNCTIONS OF VALVE POSITIONS

(Diagrams are for illustrative purposes and may vary slightly on actual valve))

## FILTER

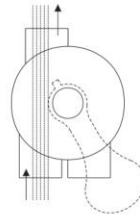
WASTE



IN FLOW OUT FLOW

## WASTE

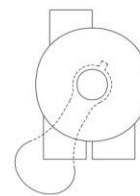
WASTE



IN FLOW OUT FLOW

## CLOSED

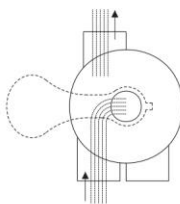
WASTE



IN FLOW OUT FLOW

## BACKWASH

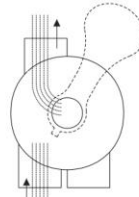
WASTE



IN FLOW OUT FLOW

## RINSE

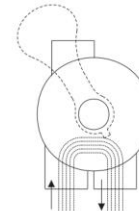
WASTE



IN FLOW OUT FLOW

## RECIRCULATE

WASTE



IN FLOW OUT FLOW

VALVE POSITION	FUNCTION
FILTER	Normal filtration and vacuuming
BACKWASH	Cleaning filter by reversing the flow
RINSE	Used after backwash to flush dirt from valve
WASTE	Bypasses filter, used for vacuuming to waste or lowering water level
RECIRCULATE	Bypasses filter for circulating water to pool
CLOSED	Shuts off all flow to filter or pool

## GENERAL

1. Pipe tap boss provided for optional influent pressure gauge.
2. SERVICING VALVE (Stop pump, close gate valve in suction & discharge before proceeding):
  - a. Set handle in filter position. b. Remove cover screws. c. Lift cover and key assembly out.

## TO ASSEMBLE:

1. Place valve key so that wedge opening is at TOP port (handle in filter position). Flat edge of cover screw lug should align with flat edge of body screw lug.
2. Position cover O'ring.
3. Secure assembly to body with cover screws. Tighten cover screws evenly and alternately. Do not over-tighten.

## **WARNING:**

- ▲ THIS FILTER OPERATES UNDER HIGH PRESSURE. WHEN ANY PART OF THE CIRCULATING SYSTEM (e.g. CLAMP, PUMP, FILTER, VALVES, ETC.) IS SERVICED, AIR CAN ENTER THE SYSTEM AND BECOME PRESSURISED. PRESSURISED AIR CAN CAUSE THE LID OR VALVE TO BE BLOWN OFF WHICH CAN RESULT IN SEVERE INJURY, DEATH, OR PROPERTY DAMAGE
- ▲ TURN PUMP OFF BEFORE CHANGING VALVE POSITION.
- ▲ TO PREVENT DAMAGE TO THE PUMP AND FOR PROPER OPERATION OF THE SYSTEM, CLEAN PUMP STRAINER AND SKIMMER BASKETS REGULARLY
- ▲ DO NOT UNSCREW SCREWS OF FLANGE CLAMP WHILE PUMP IS RUNNING.

## **WARRANTY:**

- ▲ The filter tank is warranted against manufacturer's defects for a period of 5 years.
- ▲ Internals (laterals and assembly, centre pipe) are warranted against manufacturer's defects for a period of 12 months.
- ▲ The pressure gauge is warranted against manufacturer's defects for a period of 12 months.
- ▲ The multiport valve is warranted against manufacturer's defects for a period of 12 months.



is brought to you by **POOL PRO PRODUCTS**

<b>Address</b>	<b>10-12 Cairns Street Loganholme Queensland 4129 Australia</b>
<b>Phone:</b>	<b>1800 14 37 88</b>
<b>Fax:</b>	<b>1800 77 88 20</b>
<b>Web:</b>	<b><a href="http://www.poolware.com.au">www.poolware.com.au</a></b>



# Warranty

## Poolware Sand Filter

Poolware warrants the Poolware Sand Filters only for the original purchaser of the Sand Filter. The warranty is non-transferable. Poolware warrants the Sand Filter to be free of manufacturer defects in materials and workmanship, periods outlined below:

Filter tank for a total period of five (5) years, from the date of purchase.

- "Eco" range multiport valve for a total period of one (1) year, from the date of purchase.
- Internals (lateral assembly & centre pipe) for a total period of one (1) year, from the date of purchase.
- Pressure gauge for a total period of one (1) year, from the date of purchase.

Warranty does not cover damage caused by negligence, improper use, improper maintenance, lack of care when using the product, incorrect installation, nor does it cover aggressive climate or location. Repairs under warranty can only be performed by an authorised Poolware repair agent. Proof of purchase must be shown to validate warranty. Warranty is for domestic applications only. Commercial applications of this product and components are warranted for a period of twelve (12) months from date of purchase, unless otherwise advised in writing by Poolware. Poolware will not be responsible for costs, losses or damages incurred whether directly or indirectly arising from Poolware products. Any action taken upon the product (such as disassembly) by any party not authorised to perform warranty repair on the product will void the warranty. Poolware goods are warranted without exclusion to your rights under the Australian Consumer Law. In the unlikely event that you have a warrantable problem with any Poolware product, simply contact the place of purchase or contact Poolware direct by email at: [service@poolpro.com.au](mailto:service@poolpro.com.au)



This warranty form and a copy of your original purchase receipt must be lodged within 30 days from date of purchase or any warranty claim may be voided. Post the lower half to:  
 The POPS Group Pty Ltd (Poolware Products)  
 PO Box 4183  
 Loganholme DC QLD 4129  
 Australia

# Warranty Registration Form



***Thank you for purchasing a Poolware product!***

All fields **MUST** be completed in **BLOCK CAPITALS** and **BLACK INK** and be **LEGIBLE**.  
 Failure to complete all sections may void any warranty claim.

**Please attach a copy of your original purchase receipt when lodging this form.**

**Item purchased:**

- Pump     
  Sand Filter     
  Pool Cleaner     
  Cartridge Filter     
  Chlorinator  
 Other    *If other please describe:* \_\_\_\_\_

Item Make	
Item Model	
Serial Number (if applicable)	
Purchased From (store name)	
Purchase Date	
Price Paid	
Your Name (first & last names)	
Your Address (incl. suburb & postcode)	
Daytime Telephone Number	
Email Address	

- Tick if you would like to receive updates of our new products as they become available.