

INSTALLATION & OPERATION GUIDE



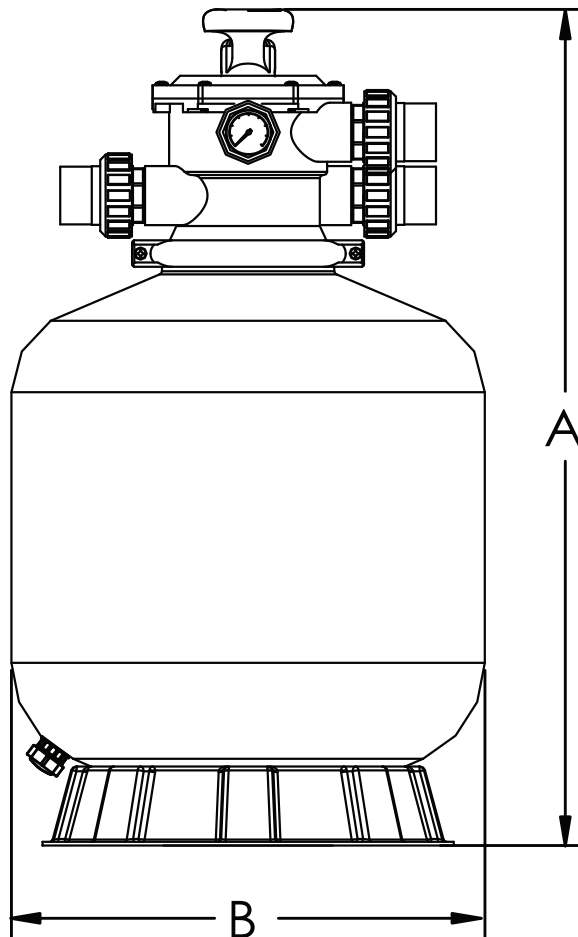
MODELS: SF500, SF650, SF65050, SF700, SF800

WARNING

- ⚠ THIS FILTER OPERATES UNDER HIGH PRESSURE. WHEN ANY PART OF THE CIRCULATING SYSTEM (e.g. CLAMP, PUMP, FILTER, VALVES, ETC) IS SERVICED, AIR CAN ENTER THE SYSTEM AND BECOME PRESSURISED. PRESSURISED AIR CAN CAUSE THE LID OR VALVE TO BE BLOWN OFF WHICH CAN RESULT IN SEVERE INJURY, DEATH, OR PROPERTY DAMAGE.
- ⚠ TURN PUMP OFF BEFORE CHANGING VALVE POSITION.
- ⚠ TO PREVENT DAMAGE TO THE PUMP AND FOR PROPER OPERATION OF THE SYSTEM, CLEAN PUMP STRAINER AND SKIMMER BASKETS REGULARLY.
- ⚠ DO NOT UNSCREW SCREWS OF FLANGE CLAMP WHILE PUMP IS RUNNING.
- ⚠ UNDER LOW TEMPERATURE SHUT OFF CONDITION, IT IS STRONGLY RECOMMENDED TO TURN TO WINTERISE POSITION AND DISCHARGE ALL WATER INSIDE FILTER THROUGH THE BOTTOM DRAIN.

DIMENSIONS

Model	Height (A) mm	Diameter (B) mm	Valve Port Size mm / inch	Sand kg / bags	Zeolite kg / bags	Coarse Glass kg / bags	Fine Glass kg / bags
SF500	845	535	40 / 1.5	80 / 4	60 / 4	25 / 2	40 / 3
SF650	950	635	40 / 1.5	140 / 7	105 / 17	45 / 3	60 / 4
SF65050	950	635	50 / 2.0	140 / 7	105 / 17	45 / 3	60 / 4
SF700	1092	723	50 / 2.0	220 / 11	165 / 11	60 / 4	105 / 7
SF800	1200	800	50 / 2.0	360 / 18	270 / 18	105 / 7	165 / 11



FUNCTION

The filter uses special filter media to remove dirt particles from pool water. The filter media is loaded into the filter tank. When the multiport valve is in the FILTER position, the pool water which contains suspended dirt particles, is pumped through your piping system and is automatically directed by the patented filter multiport valve to the top of the filter tank. As the pool water is pumped through the filter, dirt particles are trapped by the media bed, and filtered out. The cleaned pool water is returned from the bottom of the filter tank, through the multiport valve and back to the pool through the piping system. This entire sequence is continuous and automatic. It provides for total recirculation of pool water through your filter and piping system. After a period of time, the accumulated dirt in the filter causes a resistance to flow, and the flow diminishes. This means it is time to clean your filter. With the multiport valve in the BACKWASH position, the water flow is automatically reversed through the filter so that it is directed to the bottom of the tank, up through the media, flushing the previously trapped dirt and debris out the waste line. Once the filter is back-washed of dirt, set multiport valve to RINSE position and run pump for approximately 15 to 30 seconds, and then set the multiport valve in the FILTER position, to resume normal filtering. NOTE: Turn pump OFF before changing multiport valve position.

INSTALLATION

Only simple tools (screwdriver and wrenches), plus pipe sealant for plastic adapters, are required to install and service the filter.

1. The filter should be placed on a level concrete slab, very firm ground, or equivalent. The filter should be placed in the correct position so that the piping connections and multiport valve are convenient and accessible for operation and service. Position the tank with multiport valve in place to determine final position for piping.
2. Filter media is loaded through the top opening of the filter.
 - (a) For models 500/650, loosen the flange clamp and remove filter control valve (if previously installed). For models 700/800, loosen the flange nuts and remove filter control valve (if previously installed).
 - (b) Cap internal pipe with plastic cap to prevent filter media from entering it.
 - (c) We recommend filling the tank approximately 1/2 way with water to provide a cushion effect when the filter media is poured in. This helps protect the under-drain laterals from excessive shock.
 - (d) Carefully pour in correct amount and grade of filter media. Ensure centre pipe remains centred in opening. Media surface should be levelled and should come to approximately the middle of the filter tank. Remove plastic cap from internal pipe.
3. Assemble multiport valve onto the filter tank.
 - (a) Insert multiport valve (with O-Ring or gasket in place) onto the tank neck, taking care that the centre pipe slips into the hole in the bottom of the valve.
 - (b) For models 500/650, place clamp around valve flange and tank flange and tighten just enough so that the valve may be rotated on tank for final positioning. For models 700/800, place nuts on all studs around valve flange and tighten just enough so that the valve gasket seals. Do not over-tighten.
 - (c) Using thread tape, carefully screw pressure gauge (with O-Ring in place) into tapped hole in valve body. Do not over-tighten.
 - (d) Connect pump to multiport valve opening marked PUMP. After connections are made, tighten valve flange clamps/nuts, tapping around clamp/nuts with screwdriver handle to help seat valve flange clamp/nuts.
4. Make the return to pool pipe connection to multiport valve opening marked RETURN and complete other necessary plumbing connections, suction lines to pump, waste, etc.
5. Make electrical connections to pump per pump instructions.
6. To prevent water leakage, make sure all pipe connections are tight.

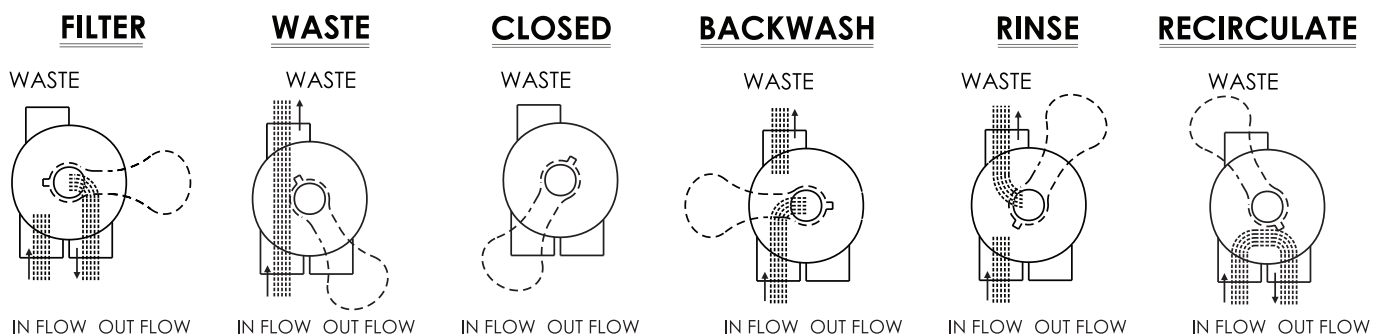
INSTALL/START-UP OF FILTER

1. Make sure the correct amount of filter media is located in the tank and all connections have been connected and secured.
2. Depress multiport valve handle and rotate to BACKWASH position. (To prevent damage to multiport valve seal, always depress handle before turning.)
3. Prime and start pump according to pump instructions (be sure all suction and return lines are open), allowing the filter tank to fill with water. Once water is flowing out of the waste line, run the pump for at least 1 minute. The initial back-washing of the filter is recommended to remove any impurities or fine particles in the filter media.
4. Turn pump off and set valve to RINSE position. Start pump and operate until water in sight glass is clear, approximately 30 seconds. Turn pump off and set valve to FILTER position and restart pump. The filter is now operating in the normal filter mode, filtering dirt particles from the pool water.
5. Adjust pool suction and return valves to achieve desired flow. Check system and filter for water leaks and tighten connections, bolts and nuts, as required.
6. Note the initial pressure gauge reading when the filter is clean. (It will vary from pool to pool depending upon the pump and general piping system.) As the filter removes dirt and impurities from the pool water, the accumulation of dirt in the filter will cause the pressure to rise and diminish the water flow. When the pressure gauge reading is 50kPa higher than the initial "clean" pressure you noted, it is time to backwash the filter (see BACKWASH under filter and multiport valve functions).

NOTE: During initial clean-up of the pool water it may be necessary to backwash frequently due to the unusually heavy initial dirt load in the water.

FUNCTIONS OF VALVE POSITIONS

Valve Position	Function
FILTER	Normal filtration and vacuuming
BACKWASH	Cleans filter by reversing the flow
RINSE	Used after backwash to flush dirt from valve
WASTE	Bypasses filter, used for vacuuming to waste or lowering water level
RECIRCULATE	Bypasses filter for circulating water to pool
CLOSED	Shuts off all flow to filter or pool



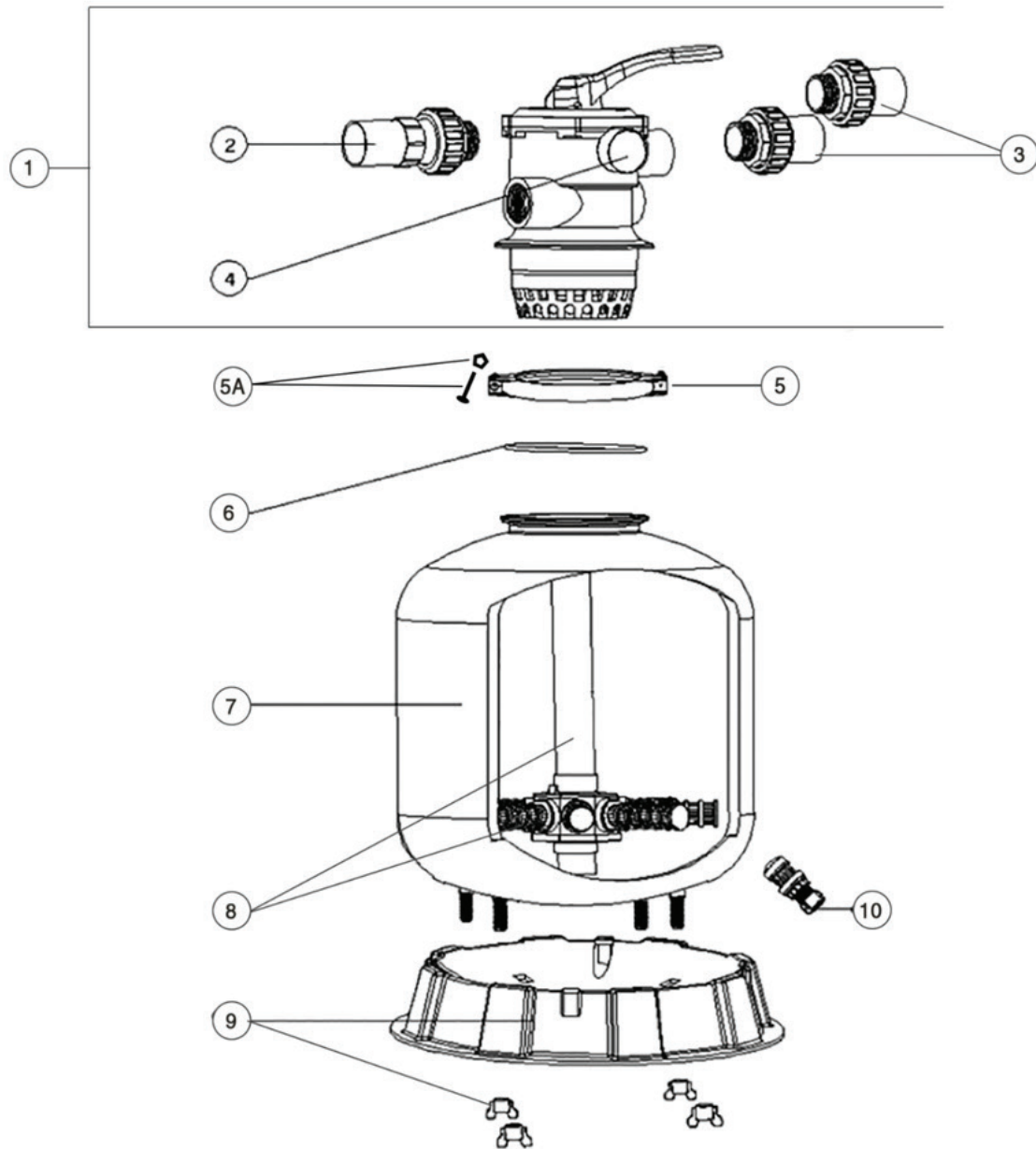
SERVICING VALVE

1. Stop pump, close gate valve in suction and discharge before proceeding.
2. Set multiport valve to FILTER position.
3. Remove cover screws.
4. Lift cover and key assembly out.

REASSEMBLE VALVE

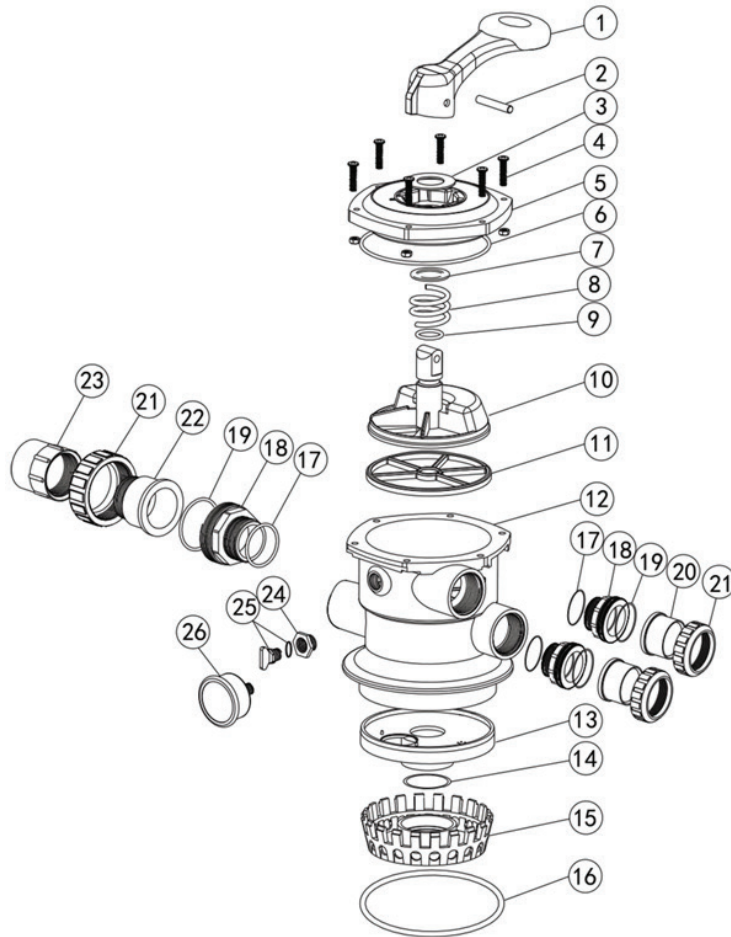
1. Place valve key so that wedge opening is at TOP port (hand in FILTER position).
2. Flat edge of cover screw lug should align with flat edge of body screw lug.
3. Position cover O-Ring/gasket.
4. Secure assembly to body with cover screws. Tighten screws evenly and alternately. Do not over tighten.

REPLACEMENT PARTS FOR SF500 & SF650



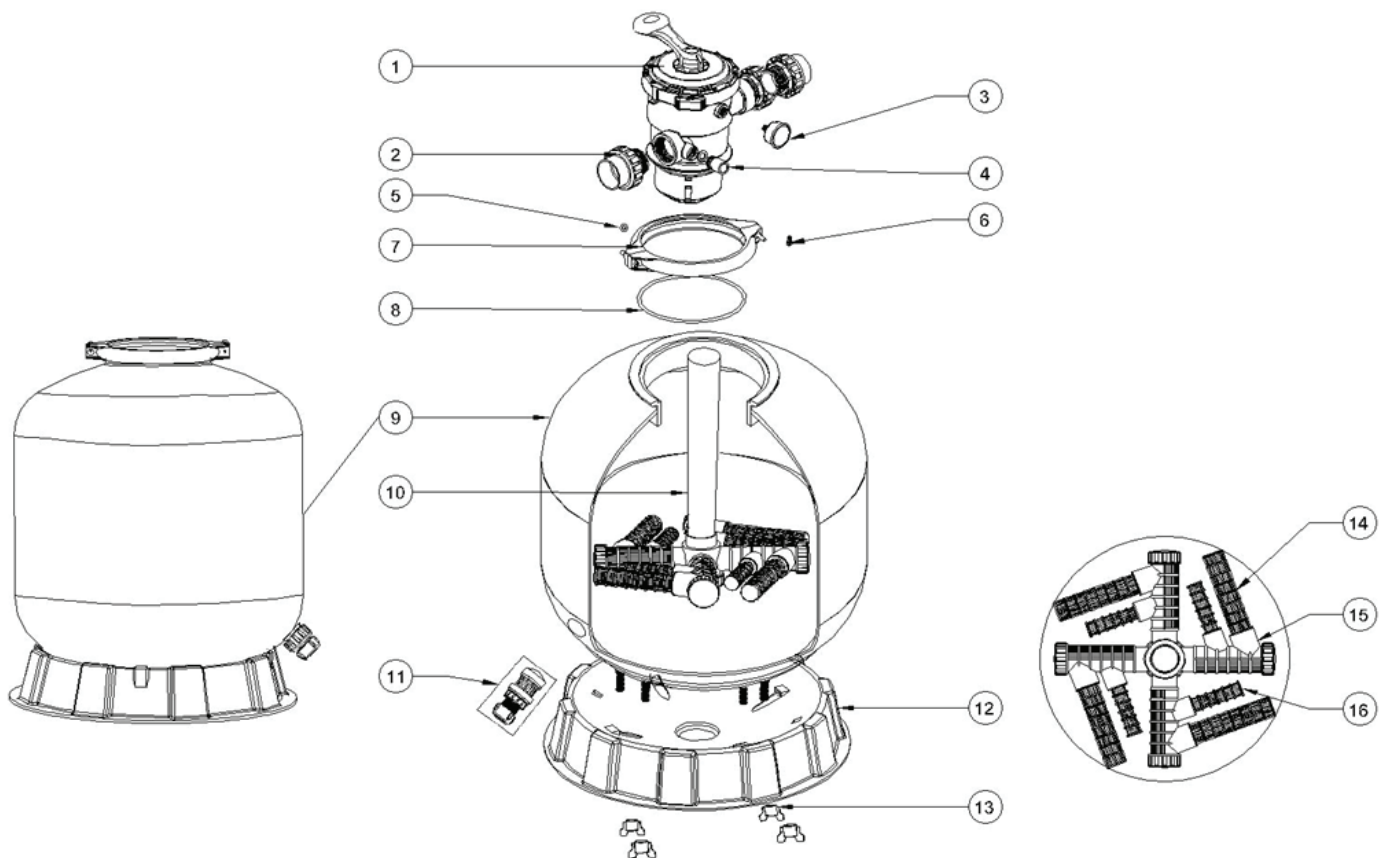
Item	Part No.	Description	Qty
1	MPV230	40mm Multiport Valve Complete w/ White Unions	1
1	MPV300	40mm Multiport Valve Complete w/ Black Unions	1
2	MPV222	40mm MPV Union with Sight Glass	1
3	MPV223	40mm MPV Union without Sight Glass	1
4	PGSC	Stainless Steel Oil Filled Back Centre Mount Pressure Gauge	1
5, 5A	SF001	Clamp Assembly w/ Nut and Bolt	1 set
5	SF002	Stainless Steel Clamp	1 set
5A	SF004	Clamp Nut and Bolt suits SF001 Clamp Assembly	1
6	OR900M	O-Ring MPV to Tank	1
7	N/A	Filter Tank	1
8	SF017	SF500 Centre Pipe, Hub and Lateral Assembly	1 set
8	SF018	SF650 Centre Pipe, Hub and Lateral Assembly	1 set
9	N/A	Filter Tank Base and Fasteners	1
10	SF782	Water Drain Set	1 set

REPLACEMENT PARTS OF 40mm MULTIPOINT VALVE FOR SF500 & SF650



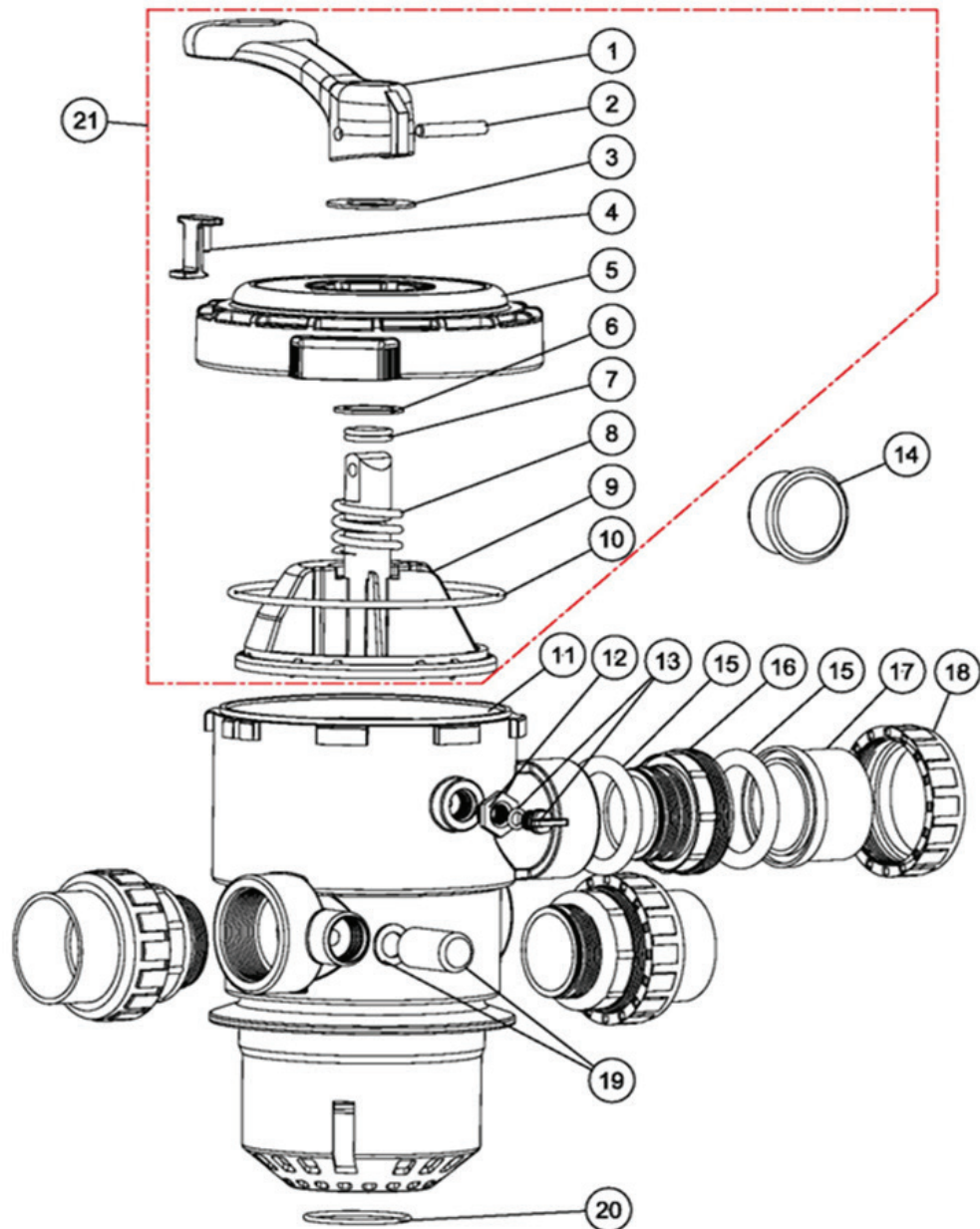
Item	Part No.	Description	Qty
1, 2, 3	MPV201	MPV Handle Kit	1 kit
2, 3	MPV202	40mm Pin & Washer for Handle	1
4, 5, 6	MPV205	40mm MPV Top Mount Lid Kit	1 kit
6	OR911	40mm MPV Cover O-Ring	1
3, 6, 7, 8, 9	MPV209	40mm MPV Spring Kit	1 kit
9	OR912	40mm MPV Diverter/Rotor O-Ring	4pk
10, 11	MPV211	40mm MPV Diverter/Rotor & Gasket	1
11	MPG05	40mm Gasket	1
12	MPV213	40mm MPV Body Only	1
13, 14, 15	MPV214	40mm MPV Diffuser Kit	1 kit
14	OR913	MPV Diffuser O-Ring	4pk
15	N/A	Over Drain Diffuser	1
16	OR900M	MPV to Tank O-Ring	1
17	OR901	40mm Threaded Tail O-Ring	3pk
17, 18, 19, 21, 22, 23	MPV222	40mm MPV Union w/ Sight Glass	1 set
18	N/A	40mm Union Adapter	1
19	OR902M	40mm Barrel Union O-Ring	3pk
20	MPV324B	40mm MPV Union Tail Black	1
21	MPV323B	40mm Union Nut Black	1
22	N/A	40mm Union Tail Clear	1
23	N/A	40mm Union Connector for Clear Tail	1
24	CF003	Internal Nut for Pressure Gauge	1
25	N/A	Drain Plug w/ O-Ring	1
24, 25	MPV226	Drain Plug, Nut and O-Ring	1 set
26	PGSC	Stainless steel oil filled back centre mount pressure gauge	1

REPLACEMENT PARTS FOR SF65050



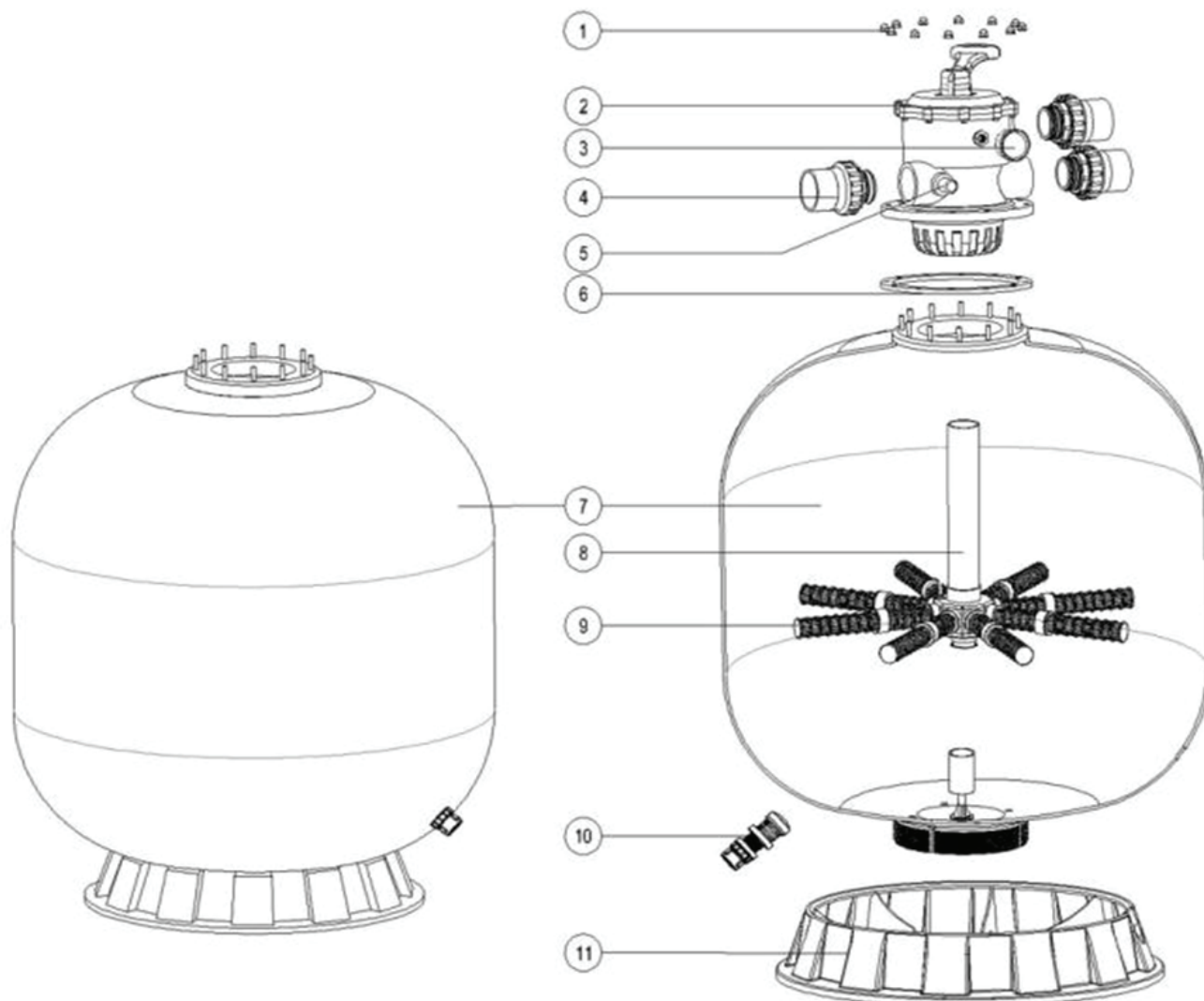
Item	Part No.	Description	Qty
1	MPV300G	Multiport valve (see breakdown)	1
2	N/A	Barrel Union	1
3	PGSC	Stainless steel oil filled back centre mount pressure gauge	1
3	CF003	Internal Nut for Pressure Gauge	1
4	MPV321	Sight Glass with O-Ring	1
5 & 6	SF004	Clamp Nut and Bolt suits SF001 Clamp Assembly	1
5, 6 & 7	SF001	Clamp Assembly	1
7	N/A	Flange Clamp	1
8	OR900M	O-Ring MPV to Tank	1
9	N/A	Tank	1
10	N/A	Centre Pipe, Hub & Lateral Assembly	1 set
11	SF782	Water Drain Set	1 set
12	N/A	Filter Base	1
13	N/A	Filter Base Fastener	1
14	N/A	Laterals 185mm	4pk
16	N/A	Laterals 115mm	4pk
14, 15 & 16	N/A	Lateral Assembly	1 set

REPLACEMENT PARTS OF 50mm MULTIPOINT VALVE FOR SF65050



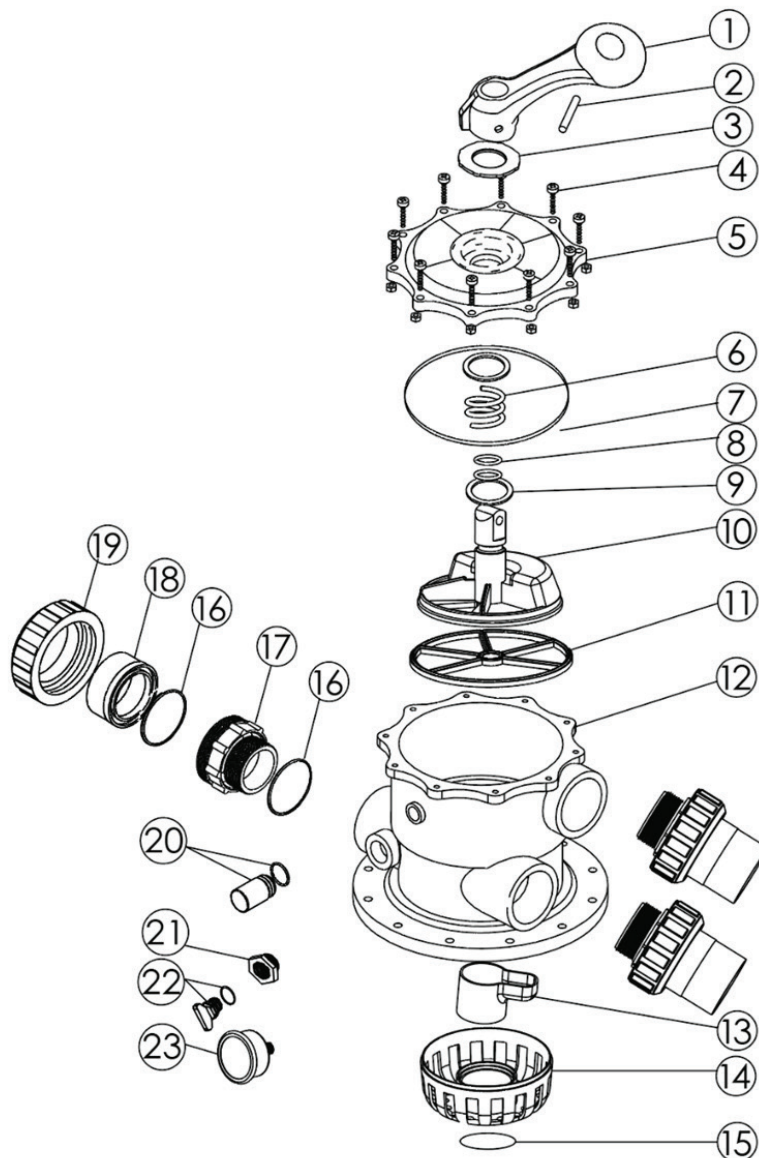
Item	Part No.	Description	Qty
1, 2, 3	MPV201	MPV Handle Kit	1 kit
2, 3	MPV302	50mm MPV Pin and Washer	1 set
4	N/A	Defend Lock	1
5	N/A	50mm Lid	1
6, 7, 8, 10	MPV309	MPV Spring Kit	1 kit
9	MPV08	MPV Rotor & Gasket	1
11	N/A	50mm Body with Diffuser	1
12, 13	MPV226	Drain Plug, Nut and O-Ring	1 set
14	PGSC	Stainless steel oil filled back centre mount pressure gauge	1
15	N/A	O-Ring	1
16	N/A	50mm Connector	1
17	N/A	50mm Union	1
18	N/A	50mm Union Nut	1
19	MPV321	50mm Sight Glass & Gasket	1
20	OR916M	50mm MPV Diffuser O-Ring	1
21	N/A	MPV Upper Part	1

REPLACEMENT PARTS FOR SF700 & SF800



Item	Part No.	Description	Qty
1	SF781	50mm MPV Tank Nut & Washer	12pk
2	MPV300	50mm Multiport Valve Complete	1
3	PGSC	Stainless steel oil filled back centre mount pressure gauge	1
4	MPV318	50mm Union Set	1 set
5	MPV321	Sight Glass & Gasket	1 set
6	MPV322	50mm MPV Tank Gasket	1
7	N/A	Filter Tank with Base	1
8, 9	SF019	SF700 Centre pipe, hub and lateral assembly	1 set
8, 9	SF020	SF800 Centre pipe, hub and lateral assembly	1 set
10	SF782	Water Drain Set	1 set
11	N/A	Filter Base	1

REPLACEMENT PARTS OF 50mm MULTIPOINT VALVE FOR SF700 & SF800



Item	Part No.	Description	Qty
1, 2, 3	MPV201	MPV Handle Kit	1 kit
2, 3	MPV302	50mm MPV Pin and Washer	1 set
4, 5, 7	MPV305	50mm MPV Top Mount Cover Kit	1 kit
3, 6, 7, 8, 9	MPV309	50mm MPV Spring Kit	1 kit
7	OR914M	MPV Cover O-Ring	1
8	OR915	50mm MPV Diverter/Rotor O-Ring	4pk
10	MPV311	50mm MPV Diverter/Rotor	1
11	MPG06	50mm MPV Gasket	1
12	MPV313	50mm MPV Body Only	1
13	N/A	Water Tube	1
13, 14, 15	MPV315	50mm MPV Diffuser Kit	1 kit
15	OR916M	50mm MPV Diffuser O-Ring	4pk
16	OR917	50mm MPV Union & Threaded Tail O-Ring	6pk
17, 18, 19	MPV318	50mm MPV Union Set	1 set
20	MPV321	50mm MPV Sight Glass & Gasket	1 set
21	CF003	Internal Nut for Pressure Gauge	1
21, 22	MPV226	Drain Plug, Nut and O-Ring	1 set
23	PGSC	Stainless steel oil filled back centre mount pressure gauge	1

WARRANTY & PRODUCT REGISTRATION

Pool Pro warrants the Neptune SF Sand Filters only for the original purchaser of the Sand Filter. The warranty is non-transferable and is only valid for the original purchaser. Pool Pro warrants the Sand Filter to be free of manufacturer defects in materials and workmanship for the following periods:

- Filter tank for a total period of ten (10) years, from date of original purchase.
- Multiport valve for a total period of (1) year, from date of original purchase.
- Internals (lateral assembly and centre pipe) for a total period of one (1) year, from date of original purchase.
- Pressure gauge for a total period of one (1) year, from date of original purchase.

Warranty does not cover damage caused by negligence, improper use, improper maintenance, lack of care when using the product, incorrect installation, nor does it cover aggressive climate or location. Repairs under warranty can only be performed by an authorised Pool Pro repair agent. Proof of original purchase must be shown to validate warranty. Warranty is for domestic applications only. Commercial applications of this product and components are warranted for a period of twelve (12) months from date of original purchase, unless otherwise advised in writing by Pool Pro. Pool Pro will not be responsible for costs, losses or damages incurred whether directly or indirectly arising from Pool Pro products. Any action taken upon the product (such as disassembly) by any party not authorised to perform warranty repair on the product will void the warranty. Pool Pro products are warranted without exclusion to your rights under the Australian Consumer Law.

Please visit www.poolpro.com.au/serviceclaim to submit a warranty request.

Please register your product online at www.poolpro.com.au/product-registration within 30 days from date of purchase, or any warranty claim may be voided.