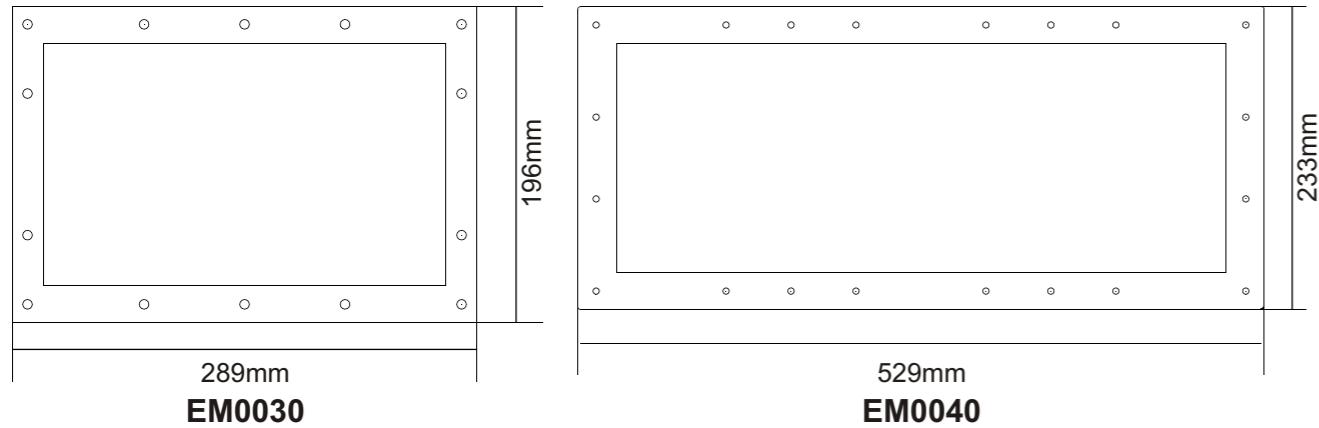


Installation details.

- ❖ Skimmer box to be mounted horizontally
- ❖ Ensure fascia gasket is secured with stainless steel screws (supplied) and sealant applied around opening to ensure it is water tight.
- ❖ Pack sand or material around skimmer box during pool installation, care must taken when using heavy machinery. Secure pipework with back fill as needed.

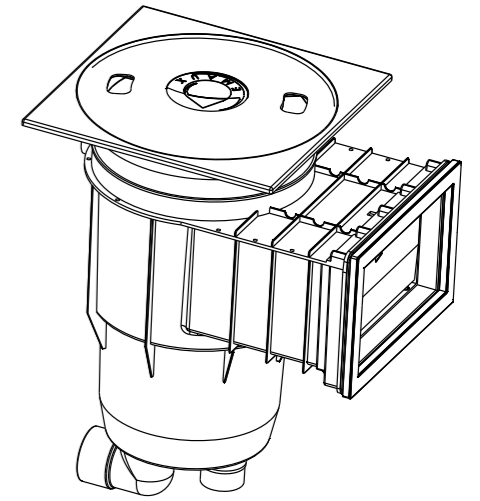
Specifications

Model No.	Overall Height	Depth	Weight
EM0030	607 mm	482mm	5.96kg / 5.39kg
EM0040	575mm	473mm	4.39kg / 4.04kg



Emaux Standard Wall Skimmer Box. EM0030

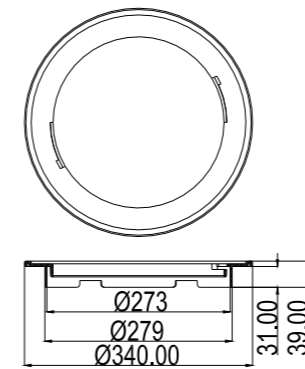
- ❖ Made of ABS thermoplastic, UV coated to give excellent strength and durability, the Emaux standard wall skimmer boxes are suitable for all types of domestic swimming pool installations. Each unit has in-built overflow port, and high capacity basket.
- ❖ Outlet port is 50mm with 40mm knockout available.
- ❖ Each Standard Wall Skimmer Box comes with lid, weir door Extension Ring and vacuum plate.
- ❖ Basket & Vacuum plate neatly secured simply by rotating parts into place.



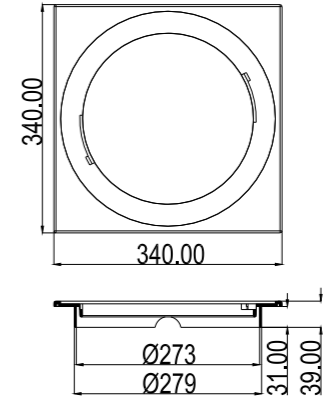
Optional Parts.

- ❖ Round Dress Ring
- ❖ Square Dress Ring

Round Dress Ring



Square Dress Ring



Dimensions

